



RDKS/TPMS Report

Initial Customer Report Final Customer Report

Data of service centers

Customer data

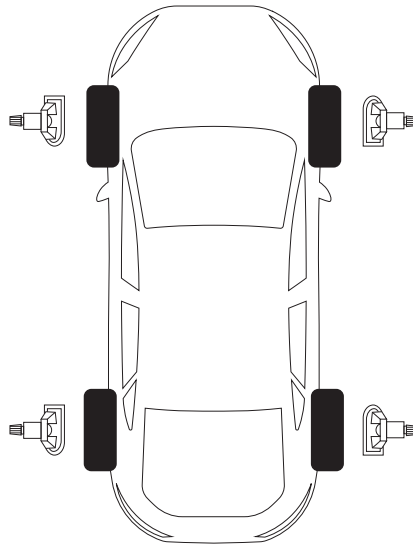
Customer: _____
Licence plate: _____

Vehicle

Car brand: _____
Model: _____
Year of manufacture: _____

Vehicle test

Sensor ID: _____
Tire pressure: _____
Temperature: _____



Sensor ID: _____
Tire pressure: _____
Temperature: _____

Sensor ID: _____
Tire pressure: _____
Temperature: _____

Sensor ID: _____
Tire pressure: _____
Temperature: _____

Status TPMS Light: off lit flashing

Notice: _____

Date: _____ Mechanic: _____

Time: _____ Signature: _____

The tire pressure monitoring system (TPMS) was checked at the incoming goods inspection as well as when the vehicle was delivered and was found to be working properly. The remaining charge in the built-in batteries of the sensors cannot be definitively tested from a technical point of view and can therefore not be guaranteed.